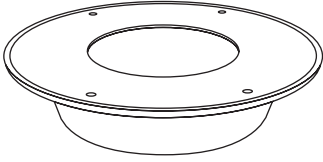


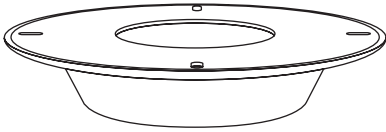
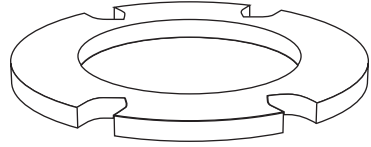
AMA-16 / AMA-18 / AMA-24

www.seaviewglobal.com



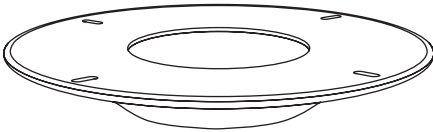
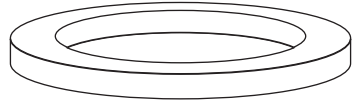
AMA-16

x1



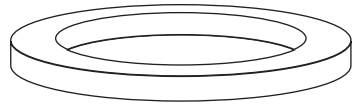
AMA-18

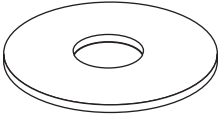
x1



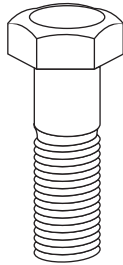
AMA-24

x1





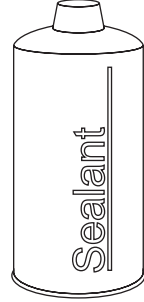
x8



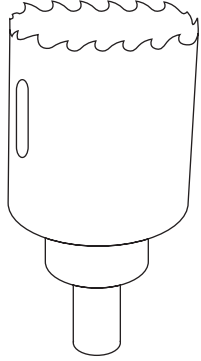
x4



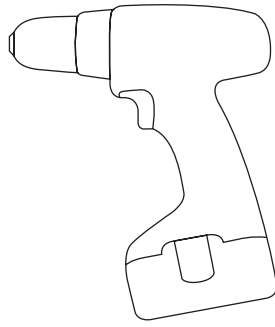
1/4" = 6mm

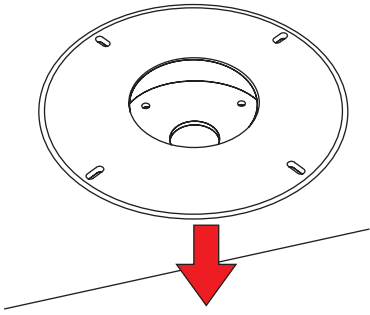
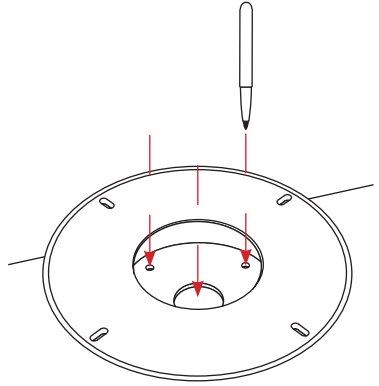
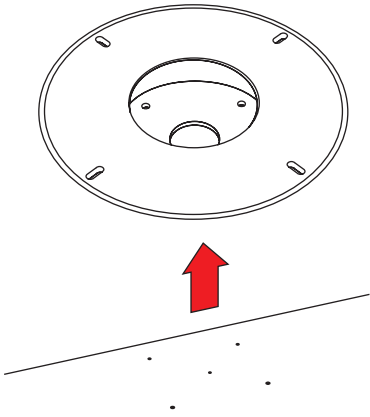
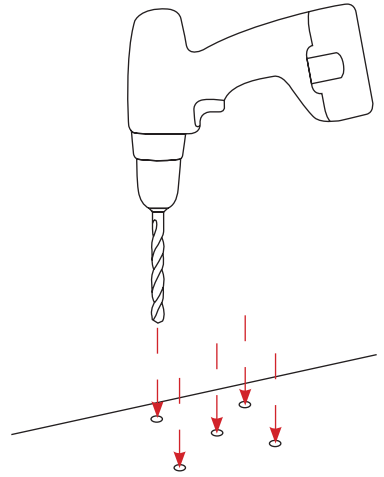
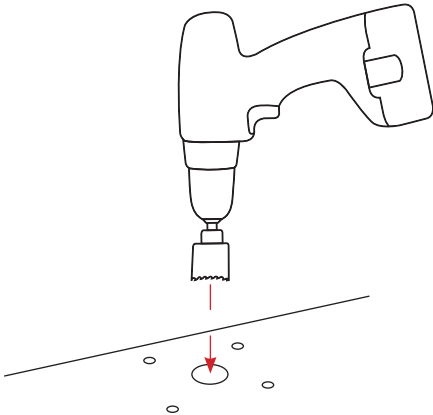
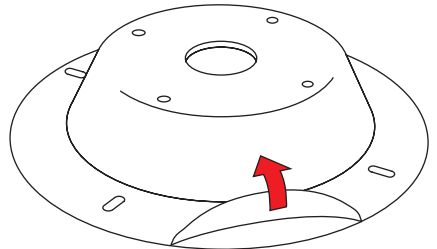


3M 4000 or equivalent

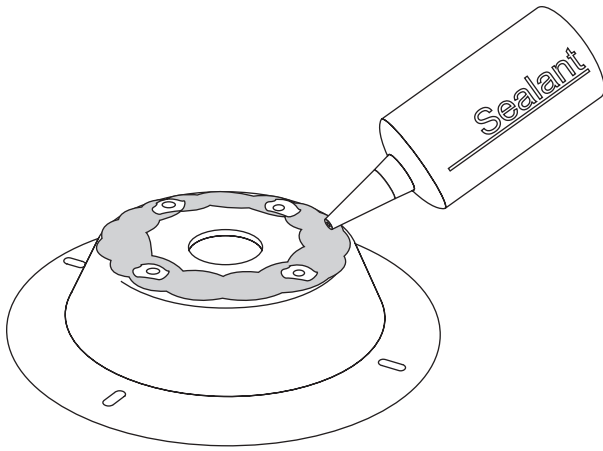


1.5" - 2" = 38mm-50mm

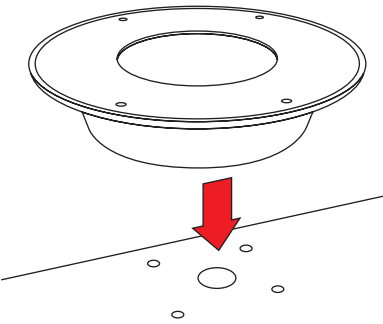


1**2****3****4****5****6**

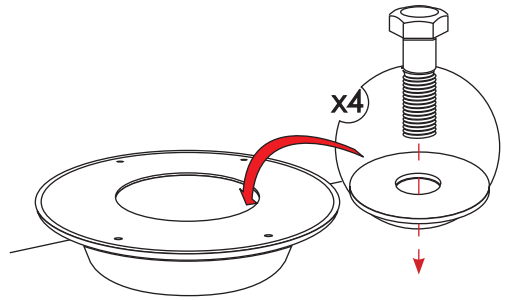
7



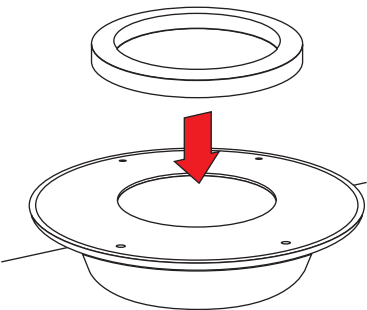
8



9

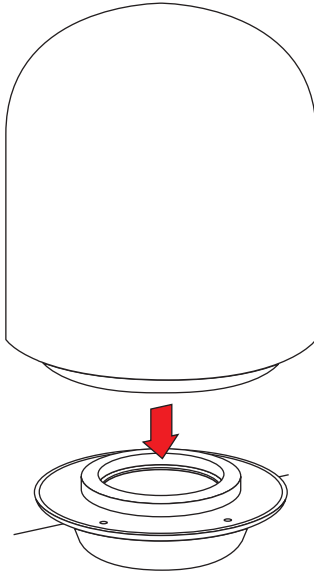


10

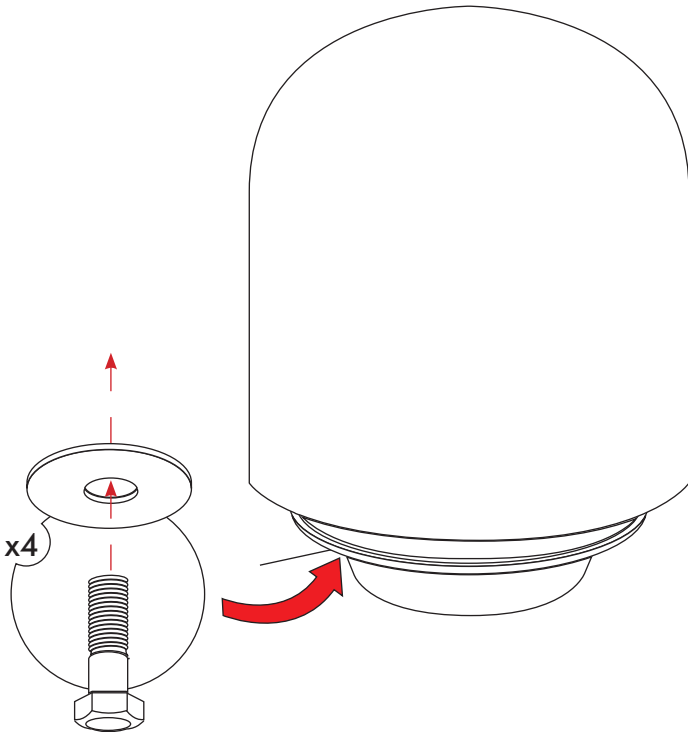


Do not over tighten the four bolts when mounting satdome mount to surface! Be sure to use a large washer to help spread the load.

11



12





North American Office

12532 Beverly Park Road,
Lynnwood, WA 98087
Tel: 800-523-7558
Fax: 425-355-3661
www.seaviewglobal.com

European Office

Tel: +33 4 94 53 27 70
Fax: +33 4 94 53 26 62
ZI Du Capitou, 85 Rue Louis Lepine,
Frejus 83600 - France
www.seaviewprogress.com